



**NEW
PRODUCT
RANGE**



EBONY EXCEL + RANGE CURRENT TRANSFORMERS

REVENUE GRADE HIGH ACCURACY
TE'S CROMPTON INSTRUMENTS



NEW
Class 0.2
Class 0.2S
Class 0.5S
ACCURACIES



FEATURES

- CT ratios from 1A to 6000A with 5A and 1A secondary's
- Comprehensive range of class accuracy's
- Cost effective moulded case
- Wide range of system current ratings, busbar sizes, case dimensions and apertures
- Wall, cable, busbar and DIN rail mounting
- Hinged terminal covers



BENEFITS

- Wide range of apertures and case sizes
- Reduction of high currents for ease of metering
- Long product life

APPROVALS

- IEC 61869-2
- BS3938
- UL Recognised File No. E104604 (XL3D, XL4D, XL7B models only)



EBONY EXCEL+ RANGE

TE's Crompton Instruments **Ebony Excel+** and **Ebony Excel** range of Current Transformers offer wide system current ratings, apertures, busbar and case sizes to suit every application. Manufactured to meet IEC61869-2, the range benefits include ratio rating from 1/5 to 6000/5, a comprehensive range of class accuracies, hinged wire sealable terminal covers for safety and multiple mounting options.

CONSTRUCTION

The toroidal core and secondary winding is encapsulated with UL94V-0 approved polycarbonate, in moulded case providing excellent mechanical strength and electrical insulation.

INSTALLATION OPTIONS

- Plug-in metal feet for wall or base mounting
- Moulded busbar mounting
- Primary copper busbar mounting
- Multi busbar mounting for two busbars
- Plastic DIN-rail adaptor for DIN-rail mounting (available as an option)

SPECIFICATION

Applicable Standards	IEC 61869-2, BS3839, UL recognised
Applicable Standards	10% glass filled polycarbonate Flame retardant grades classified UL94V-0
Connection	Two connections each side. M4 screws with self lifting clamp assembly
Insulation Class	E (120°C Maximum)
System Voltage	720V maximum
Test Voltage	4KV 50Hz for 1 min (Except for XL2 model where test voltage is 3KV 50Hz for 1 min)
Operating Frequency	50Hz or 60Hz
Rated secondary output	5A standard (1A on request)
Rated burden	1, 1.25, 1.5, 2.5, 3.75, 5, 7.5, 10, 12.5, 15, 20, 30, 45, 60, 100VA
Class of accuracy	0.2, 0.2S & 0.5S
Ambient temperature	-20°C...+45°C
Storage temperature	-50°C...+80°C
Thermal short circuit current (Ith)	60 x In
Dynamic short circuit current (Idyn)	2.5 x Ith
Instrument security factor	5, 10, 15
Rated continuous thermal current	1,2 x in
Degree of protection	IP20

ACCURACY CLASSES

The **Ebony Excel+** range has class accuracies of 0.2, 0.2S and 0.5S.

APPLICATION NOTE:

In some cases, where CT model is marked with (*), to achieve class accuracy at low currents between 20A-40A, additional primary turns are required to achieve the required output. As such, these models are only suitable for cable conductors.



XLOA+ RANGE

Case size: 62 mm wide x 40 mm deep x 78 mm high

Primary Rating: 1 - 30A

Secondary Rating: 5A as below, 1A Ratio's available change part number to end in 1A e.g. XLOA-1/1A-0.2

Part number	Primary current	Accuracy	Security Factor (ISF)
		0.2	0.2
XLOA-1/5A-0.2	1A	1VA	15
XLOA-2.5/5A-0.2	2.5A	1VA	15
XLOA-5/5A-0.2	5A	1VA	15
XLOA-7.5/5A-0.2	7.5A	1VA	15
XLOA-10/5A-0.2	10A	1VA	15
XLOA-15/5A-0.2	15A	1VA	15
XLOA-20/5A-0.2	20A	1VA	15
XLOA-25/5A-0.2	25A	1VA	15
XLOA-30/5A-0.2	30A	1VA	15



XLOB+ RANGE

Case size: 74 mm wide x 45 mm deep x 98 mm high

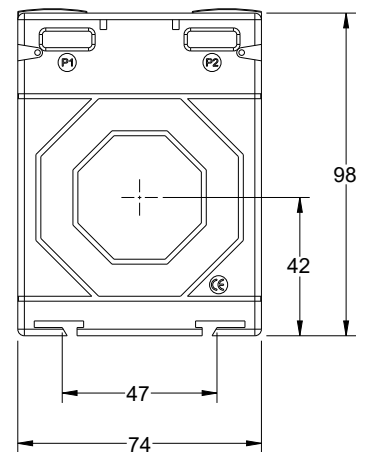
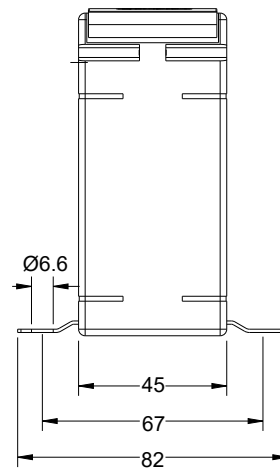
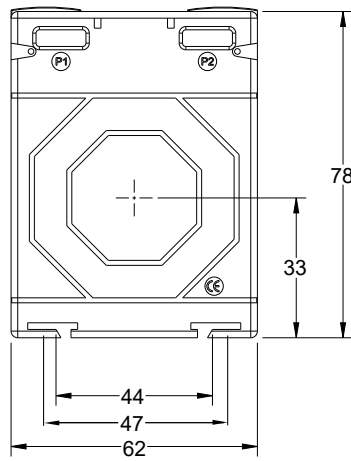
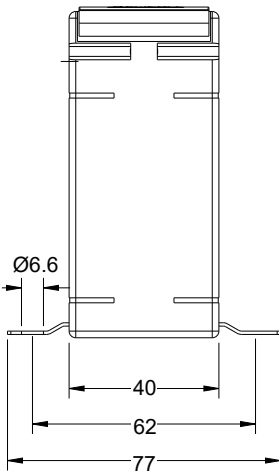
Primary Rating: 1 - 60A

Secondary Rating: 5A as below, 1A Ratio's available change part number to end in 1A e.g. XLOB-1/1A-0.2

Part number	Primary current	Accuracy	Security Factor (ISF)
		0.2	0.2
XLOB-1/5A-0.2	1A	1.5VA	15
XLOB-2.5/5A-0.2	2.5A	1.5VA	15
XLOB-5/5A-0.2	5A	1.5VA	15
XLOB-7.5/5A-0.2	7.5A	1.5VA	15
XLOB-10/5A-0.2	10A	1.5VA	15
XLOB-15/5A-0.2	15A	1.5VA	15
XLOB-20/5A-0.2	20A	1.5VA	15
XLOB-25/5A-0.2	25A	1.5VA	15
XLOB-30/5A-0.2	30A	1.5VA	15
XLOB-40/5A-0.2	40A	1.5VA	15
XLOB-50/5A-0.2	50A	1.5VA	15
XLOB-60/5A-0.2	60A	1.5VA	15

XLOA

XLOB





XL3A+ RANGE

Case size: 62 mm wide x 40 mm deep x 78 mm high

Aperture: Ø 22.5 mm

Primary Rating: 100 - 600A

Secondary Rating: 5A as below, 1A Ratio's available change part number to end in 1A e.g. XL3A-100/1A-0.2

Part number	Primary current	Accuracy			Security Factor (ISF)		
		0.2	0.2S	0.5S	0.2	0.2S	0.5S
XL3A-100/5A-**	100A	1.5VA	-	-	10	-	-
XL3A-120/5A-**	120A	1.5VA	-	-	10	-	-
XL3A-125/5A-**	125A	1.5VA	-	-	10	-	-
XL3A-150/5A-**	150A	2.5VA	2.5VA	2.5VA	10	5	5
XL3A-200/5A-**	200A	5VA	5VA	5VA	5	5	5
XL3A-250/5A-**	250A	5VA	5VA	5VA	5	5	5
XL3A-300/5A-**	300A	5VA	5VA	5VA	5	5	5
XL3A-400/5A-**	400A	10VA	5VA	5VA	5	5	5
XL3A-500/5A-**	500A	10VA	-	-	5	-	-
XL3A-600/5A-**	600A	10VA	-	-	5	-	-

Replace ** with required class accuracy



XL3B+ RANGE

Case size: 62 mm wide x 40 mm deep x 78 mm high

Aperture: 20.5 x 12.5 mm - 15.5 x 15.5 mm

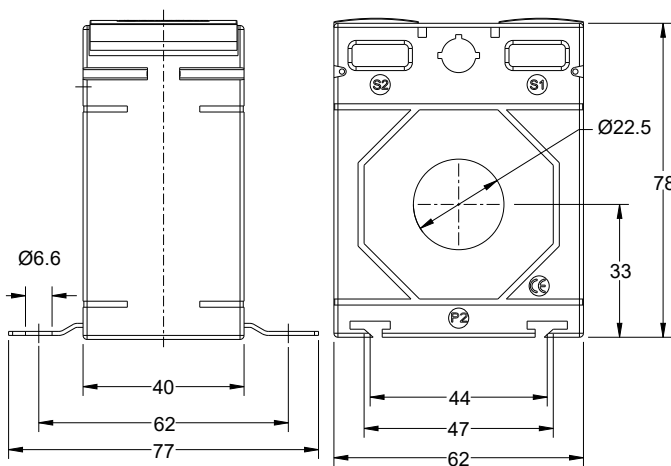
Primary Rating: 100 - 500A

Secondary Rating: 5A as below, 1A Ratio's available change part number to end in 1A e.g. XL3B-100/1A-0.2

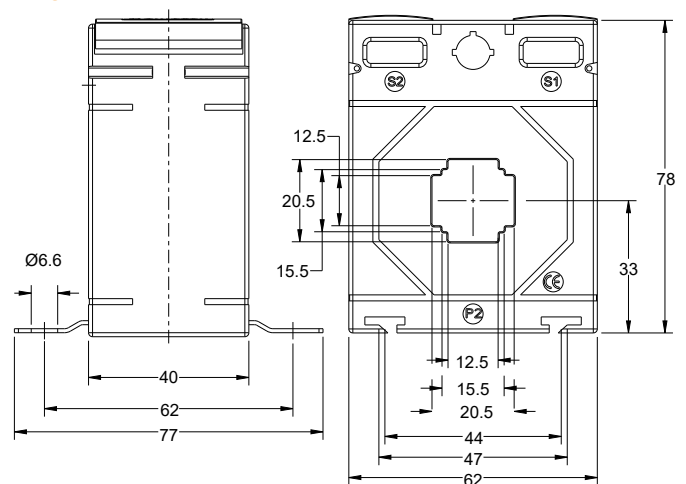
Part number	Primary current	Accuracy			Security Factor (ISF)		
		0.2	0.2S	0.5S	0.2	0.2S	0.5S
XL3B-100/5A-**	100A	1.5VA	1.5VA	1.5VA	10	5	5
XL3B-120/5A-**	120A	1.5VA	1.5VA	1.5VA	10	5	5
XL3B-125/5A-**	125A	1.5VA	1.5VA	1.5VA	10	5	5
XL3B-150/5A-**	150A	2.5VA	2VA	2VA	10	5	5
XL3B-200/5A-**	200A	5VA	3.75VA	3.75VA	5	5	5
XL3B-250/5A-**	250A	5VA	3.75VA	3.75VA	5	5	5
XL3B-300/5A-**	300A	10VA	3.75VA	3.75VA	5	5	5
XL3B-400/5A-**	400A	10VA	5VA	5VA	5	5	5
XL3B-500/5A-**	500A	10VA	5VA	5VA	5	5	5

Replace ** with required class accuracy

XL3A



XL3B



Busbar and Mounting feet fixings are supplied as standard.
DIN Rail Mounting Adapters available - Part Number XL-DRBRK-3



XL3C+ RANGE

Case size: 62 mm wide x 40 mm deep x 78 mm high

Aperture: 31 x 11 mm - 26 x 21 mm - Ø 30.5 mm

Primary Rating: 100 - 800

Secondary Rating: 5A as below, 1A Ratio's available change part number to end in 1A e.g. XL3C-100/1A-0.2

Part number	Primary current	Accuracy			Security Factor (ISF)		
		0.2	0.2S	0.5S	0.2	0.2S	0.5S
XL3C-100/5A-**	100A	1VA	1VA	1VA	10	5	5
XL3C-120/5A-**	120A	1VA	1VA	1VA	10	5	5
XL3C-125/5A-**	125A	1VA	1VA	1VA	10	5	5
XL3C-150/5A-**	150A	1.5VA	2.5VA	2.5VA	10	5	5
XL3C-200/5A-**	200A	3.75VA	5VA	5VA	10	5	5
XL3C-250/5A-**	250A	5VA	5VA	5VA	10	5	5
XL3C-300/5A-**	300A	3.75VA	5VA	5VA	10	5	5
XL3C-400/5A-**	400A	10VA	5VA	5VA	10	5	5
XL3C-500/5A-**	500A	10VA	5VA	5VA	5	10	10
XL3C-600/5A-**	600A	10VA	7.5VA	7.5VA	5	10	10
XL3C-750/5A-**	750A	10VA	10VA	10VA	5	10	10
XL3C-800/5A-**	800A	10VA	10VA	10VA	5	10	10

Replace ** with required class accuracy



XL3D+ RANGE

Case size: 62 mm wide x 40 mm deep x 78 mm high

Aperture: 40.5 x 11 mm - 31 x 21 mm - Ø 31 mm

Primary Rating: 200 - 800A

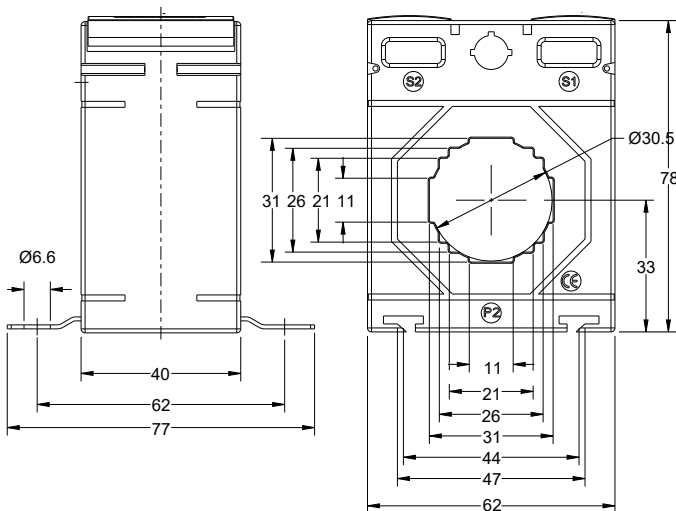
Secondary Rating: 5A as below, 1A Ratio's available change part number to end in 1A e.g. XL3D-200/1A-0.2



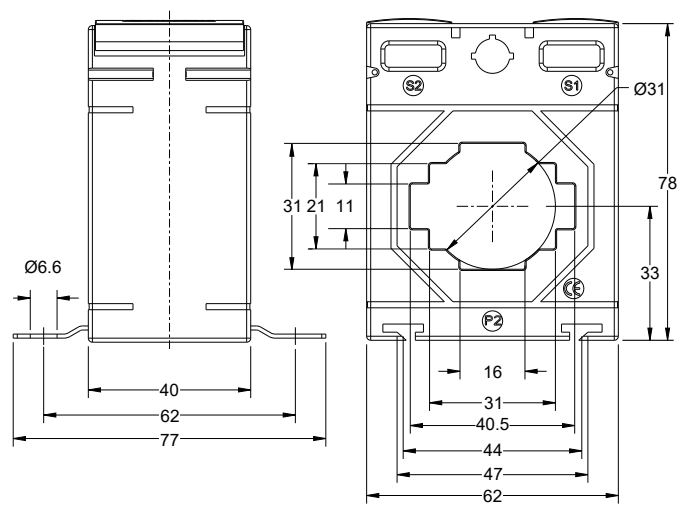
Part number	Primary current	Accuracy			Security Factor (ISF)		
		0.2	0.2S	0.5S	0.2	0.2S	0.5S
XL3D-200/5A-**	200A	1VA	1VA	1VA	10	5	5
XL3D-250/5A-**	250A	1.5VA	1.5VA	1.5VA	10	5	5
XL3D-300/5A-**	300A	1.5VA	1.5VA	1.5VA	10	5	5
XL3D-400/5A-**	400A	2.5VA	2.5VA	2.5VA	10	5	5
XL3D-500/5A-**	500A	5VA	2.5VA	2.5VA	5	5	5
XL3D-600/5A-**	600A	7.5VA	2.5VA	2.5VA	5	5	5
XL3D-750/5A-**	750A	10VA	5VA	5VA	5	5	5
XL3D-800/5A-**	800A	10VA	5VA	5VA	5	5	5

Replace ** with required class accuracy

XL3C



XL3D



Busbar and Mounting feet fixings are supplied as standard.
DIN Rail Mounting Adapters available - Part Number XL-DRBRK-3



XL3E+ RANGE

Case size: 62 mm wide x 51 mm deep x 78 mm high

Aperture: 30.5 x 10.5 mm - Ø 28 mm

Primary Rating: 100 - 800A

Secondary Rating: 5A as below, 1A Ratio's available change part number to end in 1A e.g. XL3E-100/1A-0.2

Part number	Primary current	Accuracy			Security Factor (ISF)		
		0.2	0.2S	0.5S	0.2	0.2S	0.5S
XL3E-100/5A-**	100A	1.25VA	1.25VA		15	5	5
XL3E-120/5A-**	120A	1.25VA	1.25VA		15	5	5
XL3E-125/5A-**	125A	1.25VA	1.25VA		15	5	5
XL3E-150/5A-**	150A	2VA	2VA		10	5	5
XL3E-200/5A-**	200A	3.75VA	5VA		10	5	5
XL3E-250/5A-**	250A	5VA	5VA		10	5	5
XL3E-300/5A-**	300A	5VA	5VA		10	5	5
XL3E-400/5A-**	400A	6.25VA	10VA		10	5	5
XL3E-500/5A-**	500A	7.5VA	5VA		10	10	10
XL3E-600/5A-**	600A	10VA	6.25VA		10	10	10
XL3E-750/5A-**	750A	10VA	6.25VA		10	10	10
XL3E-800/5A-**	800A	10VA	6.25VA		10	10	10

Replace ** with required class accuracy



XL4A+ RANGE

Case size: 74 mm wide x 45 mm deep x 98 mm high

Aperture: 21 x 11 mm - 15.5 X 15.5 mm- Ø 20.4 mm

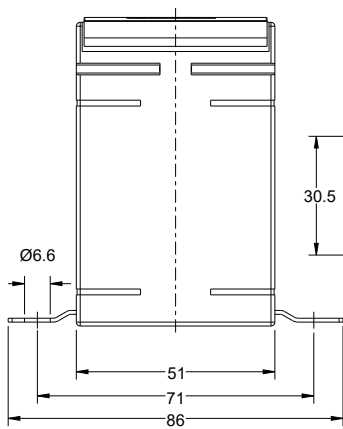
Primary Rating: 100 - 500A

Secondary Rating: 5A as below, 1A Ratio's available change part number to end in 1A e.g. XL4A-100/1A-0.2

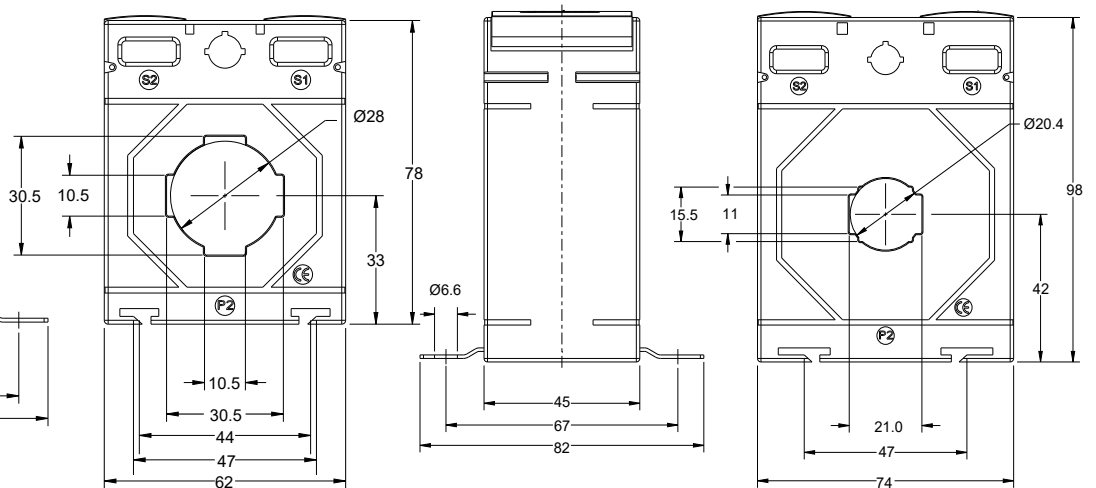
Model type	Primary current	Accuracy			Security Factor (ISF)		
		0.2	0.2S	0.5S	0.2	0.2S	0.5S
XL4A-100/5A-**	100A	1.5VA	1.5VA	1.5VA	15	5	5
XL4A-120/5A-**	120A	1.5VA	1.5VA	1.5VA	15	5	5
XL4A-125/5A-**	125A	1.5VA	1.5VA	1.5VA	15	5	5
XL4A-150/5A-**	150A	2.5VA	2.5VA	2.5VA	15	5	5
XL4A-200/5A-**	200A	5VA	5VA	5VA	10	5	5
XL4A-250/5A-**	250A	5VA	5VA	5VA	10	5	5
XL4A-300/5A-**	300A	7.5VA	5VA	5VA	10	5	5
XL4A-400/5A-**	400A	10VA	5VA	5VA	10	5	5
XL4A-500/5A-**	500A	10VA	5VA	5VA	10	5	5

Replace ** with required class accuracy

XL3E



XL4A





XL4B+ RANGE

Case size: 74 mm wide x 45 mm deep x 98 mm high

Aperture: 31 x 15 mm - 21 x 21 mm - Ø 26 mm

Primary Rating: 100 - 800A

Secondary Rating: 5A as below, 1A Ratio's available change part number to end in 1A e.g. XL4B-100/1A-0.2

Part number	Primary current	Accuracy			Security Factor (ISF)		
		0.2	0.2S	0.5S	0.2	0.2S	0.5S
XL4B-100/5A-**	100A	1.5VA	1.5VA	1.5VA	15	5	5
XL4B-120/5A-**	120A	1.5VA	1.5VA	1.5VA	15	5	5
XL4B-125/5A-**	125A	1.5VA	1.5VA	1.5VA	15	5	5
XL4B-150/5A-**	150A	1.5VA	1.5VA	1.5VA	15	5	5
XL4B-200/5A-**	200A	2.5VA	2.5VA	2.5VA	15	5	5
XL4B-250/5A-**	250A	2.5VA	2.5VA	2.5VA	10	5	5
XL4B-300/5A-**	300A	5VA	2.5VA	2.5VA	10	10	10
XL4B-400/5A-**	400A	7.5VA	5VA	5VA	10	10	10
XL4B-500/5A-**	500A	10VA	5VA	5VA	10	10	10
XL4B-600/5A-**	600A	15VA	5VA	5VA	10	10	10
XL4B-750/5A-**	750A	20VA	7.5VA	7.5VA	10	10	10
XL4B-800/5A-**	800A	30VA	10VA	10VA	10	10	10

Replace ** with required class accuracy



XL4C+ RANGE

Case size: 74 mm wide x 45 mm deep x 98 mm high

Aperture: 41 x 12.5 mm - 31 x 31 mm - Ø 35 mm

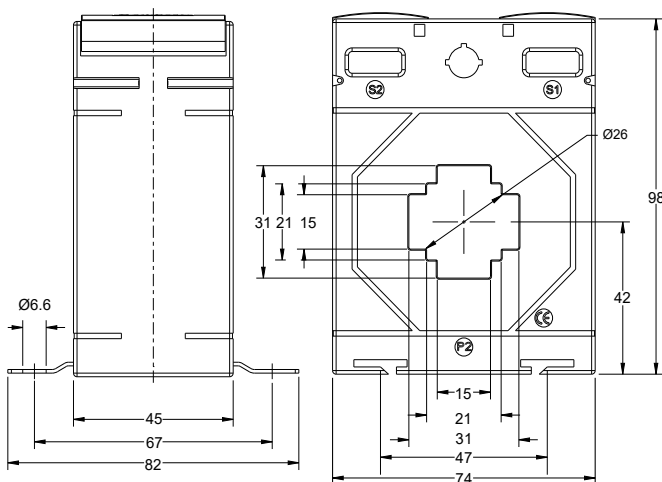
Primary Rating: 100 - 1000A

Secondary Rating: 5A as below, 1A Ratio's available change part number to end in 1A e.g. XL4C-100/1A-0.2S

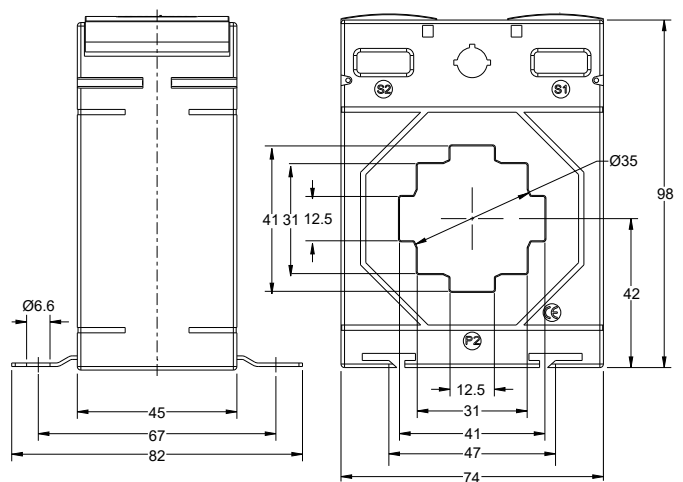
Part number	Primary current	Accuracy			Security Factor (ISF)		
		0.2	0.2S	0.5S	0.2	0.2S	0.5S
XL4C-100/5A-**	100A	-	1VA	1VA	-	5	5
XL4C-120/5A-**	120A	-	1VA	1VA	-	5	5
XL4C-125/5A-**	125A	-	1VA	1VA	-	5	5
XL4C-150/5A-**	150A	-	1.5VA	1.5VA	-	5	5
XL4C-200/5A-**	200A	2.5VA	2.5VA	2.5VA	10	5	5
XL4C-250/5A-**	250A	3.75VA	5VA	5VA	10	5	5
XL4C-300/5A-**	300A	5VA	5VA	5VA	5	5	5
XL4C-400/5A-**	400A	10VA	5VA	5VA	5	5	5
XL4C-500/5A-**	500A	10VA	5VA	5VA	5	5	5
XL4C-600/5A-**	600A	15VA	5VA	5VA	5	10	10
XL4C-750/5A-**	750A	15VA	5VA	5VA	5	10	10
XL4C-800/5A-**	800A	15VA	7.5VA	7.5VA	5	5	5
XL4C-1000/5A-**	1000A	15VA	10VA	10VA	5	5	5

Replace ** with required class accuracy

XL4B



XL4C





XL4D+ RANGE

Case size: 74 mm wide x 45 mm deep x 98 mm high

Aperture: 51 x 12.5 mm - 41 x 21 mm - 31 x 31 mm - Ø 41 mm

Primary Rating: 250 - 1000A

Secondary Rating: 5A as below, 1A Ratio's available change part number to end in 1A e.g. XL4D-250/1A-0.2

Part number	Primary current	Accuracy			Security Factor (ISF)		
		0.2	0.2S	0.5S	0.2	0.2S	0.5S
XL4D-250/5A-**	250A	1.5VA	1.5VA	1.5VA	10	5	5
XL4D-300/5A-**	300A	1.5VA	1.5VA	1.5VA	10	5	5
XL4D-400/5A-**	400A	2.5VA	2.5VA	2.5VA	5	5	5
XL4D-500/5A-**	500A	5VA	5VA	5VA	5	5	5
XL4D-600/5A-**	600A	7.5VA	5VA	5VA	5	5	5
XL4D-750/5A-**	750A	10VA	5VA	5VA	5	5	5
XL4D-800/5A-**	800A	10VA	5VA	5VA	5	5	5
XL4D-1000/5A-**	1000A	10VA	5VA	5VA	5	5	5

Replace ** with required class accuracy



XL5A+ RANGE

Case size: 86 mm wide x 45 mm deep x 110 mm high

Aperture: 41 x 11 mm - 31 x 31 mm - Ø 36 mm diameter

Primary Rating: 100 - 1000A

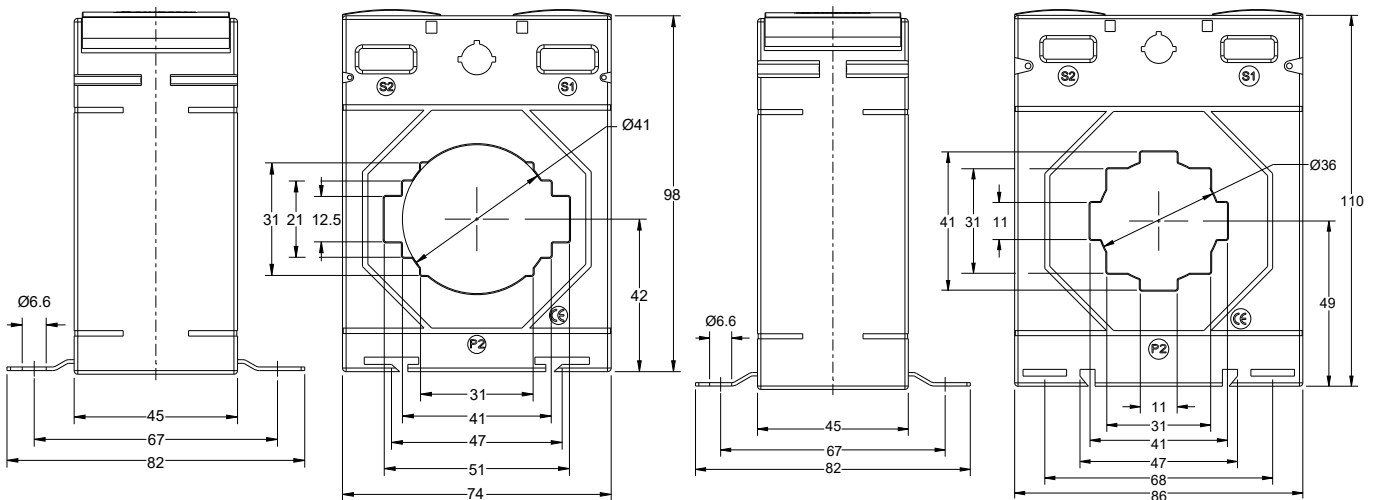
Secondary Rating: 5A as below, 1A Ratio's available change part number to end in 1A e.g. XL5A-100/1A-0.2

Part number	Primary current	Accuracy			Security Factor (ISF)		
		0.2	0.2S	0.5S	0.2	0.2S	0.5S
XL5A-100/5A-**	100A	1.5VA	1.5VA	1.5VA	10	5	5
XL5A-120/5A-**	120A	1.5VA	1.5VA	1.5VA	10	5	5
XL5A-125/5A-**	125A	1.5VA	1.5VA	1.5VA	10	5	5
XL5A-150/5A-**	150A	2.5VA	2.5VA	2.5VA	10	5	5
XL5A-200/5A-**	200A	2.5VA	5VA	5VA	10	5	5
XL5A-250/5A-**	250A	5VA	10VA	10VA	10	5	5
XL5A-300/5A-**	300A	10VA	10VA	10VA	10	5	5
XL5A-400/5A-**	400A	15VA	10VA	10VA	10	15	15
XL5A-500/5A-**	500A	15VA	5VA	5VA	5	15	15
XL5A-600/5A-**	600A	15VA	7.5VA	7.5VA	5	10	10
XL5A-750/5A-**	750A	15VA	7.5VA	7.5VA	5	10	10
XL5A-800/5A-**	800A	15VA	10VA	10VA	5	10	10
XL5A-1000/5A-**	1000A	15VA	10VA	10VA	5	10	10

Replace ** with required class accuracy

XL4D

XL5A





XL5B+ RANGE

Case size: 86 mm wide x 45 mm deep x 110 mm high

Aperture: 51 x 12.5 mm - 41 x 31 mm - Ø 46 mm

Primary Rating: 200 - 1250A

Secondary Rating: 5A as below, 1A Ratio's available change part number to end in 1A e.g. XL5B-200/1A-0.2

Part number	Primary current	Accuracy			Security Factor (ISF)		
		0.2	0.2S	0.5S	0.2	0.2S	0.5S
XL5B-200/5A-**-	200A	-	2.5VA	2.5VA	-	5	5
XL5B-250/5A-**-	250A	-	2.5VA	2.5VA	-	5	5
XL5B-300/5A-**-	300A	3.75VA	5VA	5VA	10	5	5
XL5B-400/5A-**-	400A	10VA	7.5VA	7.5VA	10	5	5
XL5B-500/5A-**-	500A	10VA	7.5VA	7.5VA	10	5	5
XL5B-600/5A-**-	600A	15VA	10VA	10VA	10	5	5
XL5B-750/5A-**-	750A	15VA	7.5VA	7.5VA	10	10	10
XL5B-800/5A-**-	800A	12.5VA	10VA	10VA	5	10	10
XL5B-1000/5A-**-	1000A	20VA	10VA	10VA	5	5	5
XL5B-1200/5A-**-	1200A	20VA	10VA	10VA	5	5	5
XL5B-1250/5A-**-	1250A	20VA	10VA	10VA	5	5	5

Replace ** with required class accuracy



XL5C+ RANGE

Case size: 86 mm wide x 45 mm deep x 110 mm high

Aperture: 61 x 12.5 mm - 51 x 31 mm - Ø 51 mm

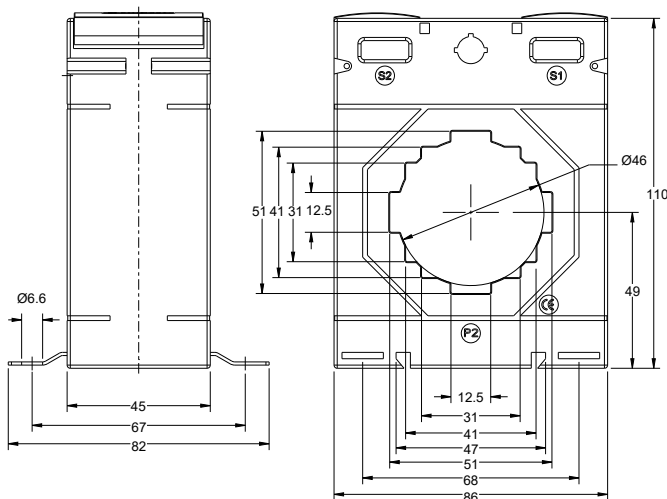
Primary Rating: 300 - 1600A

Secondary Rating: 5A as below, 1A Ratio's available change part number to end in 1A e.g. XL5C-300/1A-0.2

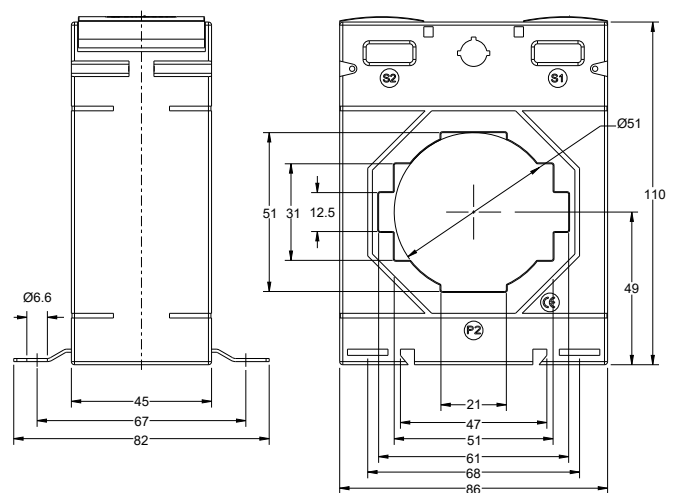
Part number	Primary current	Accuracy			Security Factor (ISF)		
		0.2	0.2S	0.5S	0.2	0.2S	0.5S
XL5C-300/5A-**-	300A	1.5VA	1.5VA	1.5VA	10	5	5
XL5C-400/5A-**-	400A	2.5VA	2.5VA	2.5VA	10	5	5
XL5C-500/5A-**-	500A	3.75VA	2.5VA	2.5VA	10	5	5
XL5C-600/5A-**-	600A	5VA	5VA	5VA	10	10	10
XL5C-750/5A-**-	750A	10VA	5VA	5VA	5	10	10
XL5C-800/5A-**-	800A	12.5VA	7.5VA	7.5VA	5	10	10
XL5C-1000/5A-**-	1000A	15VA	10VA	10VA	5	10	10
XL5C-1200/5A-**-	1200A	15VA	10VA	10VA	5	10	10
XL5C-1250/5A-**-	1250A	15VA	10VA	10VA	5	10	10
XL5C-1500/5A-**-	1500A	15VA	10VA	10VA	5	5	5
XL5C-1600/5A-**-	1600A	15VA	10VA	10VA	5	5	5

Replace ** with required class accuracy

XL5B



XL5C





XL6A+ RANGE

Case size: 99 mm wide x 45 mm deep x 170 mm high

Aperture: 41 x 103 mm

Primary Rating: 1000 - 2500A

Secondary Rating: 5A as below, 1A Ratio's available change part number to end in 1A e.g. XL6A-1000/1A-0.2

Part number	Primary current	Accuracy			Security Factor (ISF)		
		0.2	0.2S	0.5S	0.2	0.2S	0.5S
XL6A-1000/5A-**	1000A	5VA	-	-	10	-	-
XL6A-1200/5A-**	1200A	5VA	5VA	5VA	10	10	10
XL6A-1250/5A-**	1250A	5VA	5VA	5VA	10	10	10
XL6A-1500/5A-**	1500A	5VA	5VA	5VA	10	10	10
XL6A-1600/5A-**	1600A	10VA	7.5VA	7.5VA	10	10	10
XL6A-2000/5A-**	2000A	10VA	7.5VA	7.5VA	10	10	10
XL6A-2400/5A-**	2400	10VA	10VA	10VA	10	10	10
XL6A-2500/5A-**	2500A	10VA	10VA	10VA	10	10	10

Replace ** with required class accuracy



XL6B+ RANGE

Case size: 99 mm wide x 45 mm deep x 170 mm high

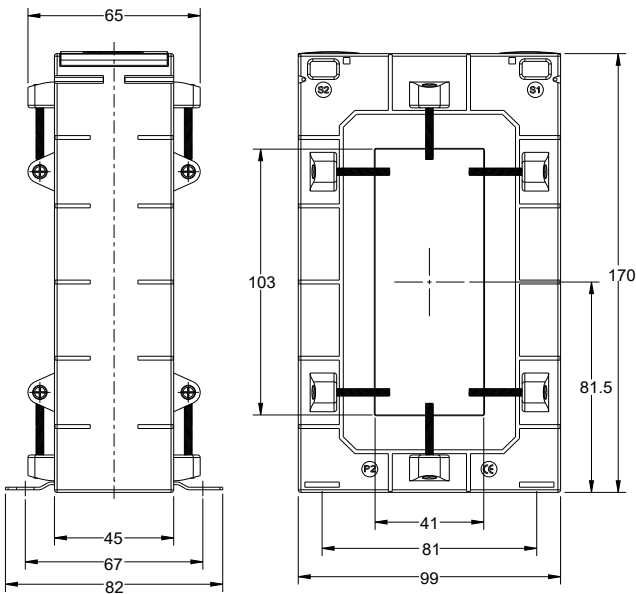
Aperture: 38 x 128 mm

Primary Rating: 1500 - 3200A

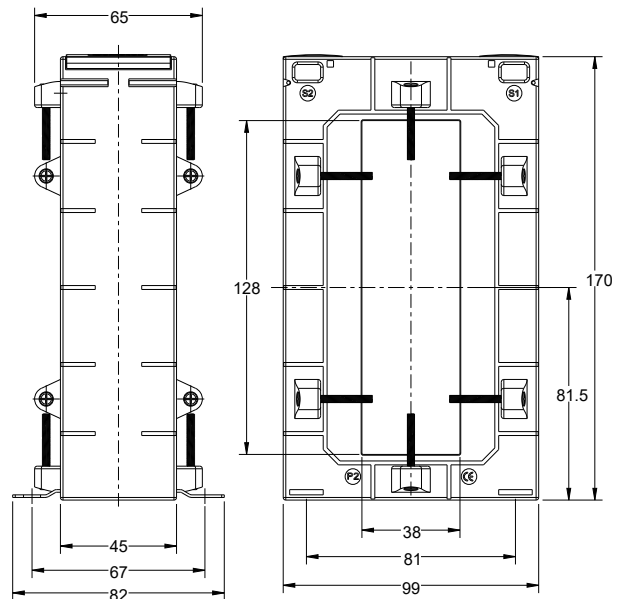
Secondary Rating: 5A as below, 1A Ratio's available change part number to end in 1A e.g. XL6B-1500/1A-0.2

Part number	Primary current	Accuracy	Security Factor (ISF)
		0.2	0.2S
XL6B-1500/5A-0.2	1500A	5VA	10
XL6B-1600/5A-0.2	1600A	5VA	10
XL6B-2000/5A-0.2	2000A	5VA	10
XL6B-2500/5A-0.2	2500A	5VA	10
XL6B-3200/5A-0.2	3200A	5VA	10

XL6A



XL6B





XL7A+ RANGE

Case size: 104 mm wide x 45 mm deep x 126 mm high

Aperture: 61 x 12.5 mm - 51 x 31 mm - 41 x 41 mm - Ø 54 mm

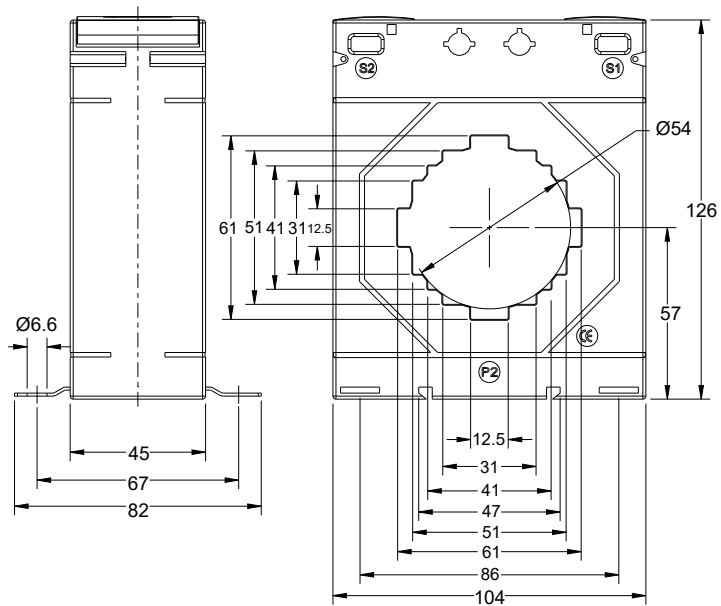
Primary Rating: 200 - 1600A

Secondary Rating: 5A as below, 1A Ratio's available change part number to end in 1A e.g. XL7A-200/1A-0.2

Part number	Primary current	Accuracy			Security Factor (ISF)		
		0.2	0.2S	0.5S	0.2	0.2S	0.5S
XL7A-200/5A-**	200A	1VA	-	-	15	-	-
XL7A-250/5A-**	250A	2.5VA	-	-	15	-	-
XL7A-300/5A-**	300A	3.75VA	1.5VA	1.5VA	15	15	15
XL7A-400/5A-**	400A	7.5VA	2.5VA	2.5VA	15	15	15
XL7A-500/5A-**	500A	10VA	3.75VA	3.75VA	10	15	15
XL7A-600/5A-**	600A	15VA	5VA	5VA	10	15	15
XL7A-750/5A-**	750A	15VA	5VA	5VA	10	15	15
XL7A-800/5A-**	800A	15VA	7.5VA	7.5VA	10	15	15
XL7A-1000/5A-**	1000A	20VA	10VA	10VA	5	10	10
XL7A-1200/5A-**	1200A	30VA	10VA	10VA	5	10	10
XL7A-1250/5A-**	1250A	30VA	10VA	10VA	5	10	10
XL7A-1500/5A-**	1500A	30VA	10VA	10VA	5	10	10
XL7A-1600/5A-**	1600A	30VA	10VA	10VA	5	10	10

Replace ** with required class accuracy

XL7A



Busbar and Mounting feet fixings are supplied as standard.
DIN Rail Mounting Adapters available - Part Number XL-DRBRK-3



XL7B+ RANGE

Case size: 104 mm wide x 45 mm deep x 126 mm high
Aperture: 81 x 12.5 mm - 61 x 31 mm - 51 x 51 mm - Ø 65 mm
Primary Rating: 400 - 2000A
Secondary Rating: 5A as below, 1A Ratio's available change part number to end in 1A e.g. XL7B-200/1A-0.2

Part number	Primary current	Accuracy			Security Factor (ISF)		
		0.2	0.2S	0.5S	0.2	0.2S	0.5S
XL7B-400/5A-**	400A	1.5VA	-	-	10	-	-
XL7B-500/5A-**	500A	5VA	-	-	10	-	-
XL7B-600/5A-**	600A	5VA	3.75VA	3.75VA	10	10	10
XL7B-750/5A-**	750A	5VA	5VA	5VA	10	10	10
XL7B-800/5A-**	800A	7.5VA	5VA	5VA	5	10	10
XL7B-1000/5A-**	1000A	12.5VA	7.5VA	7.5VA	5	10	10
XL7B-1200/5A-**	1200A	15VA	10VA	10VA	5	5	5
XL7B-1250/5A-**	1250A	15VA	10VA	10VA	5	5	5
XL7B-1500/5A-**	1500A	15VA	10VA	10VA	5	5	5
XL7B-1600/5A-**	1600A	15VA	10VA	10VA	5	5	5
XL7B-2000/5A-**	2000A	15VA	10VA	10VA	5	5	5

Replace ** with required class accuracy

Busbar and Mounting feet fixings are supplied as standard.
 DIN Rail Mounting Adapters available - Part Number XL-DRBRK-3



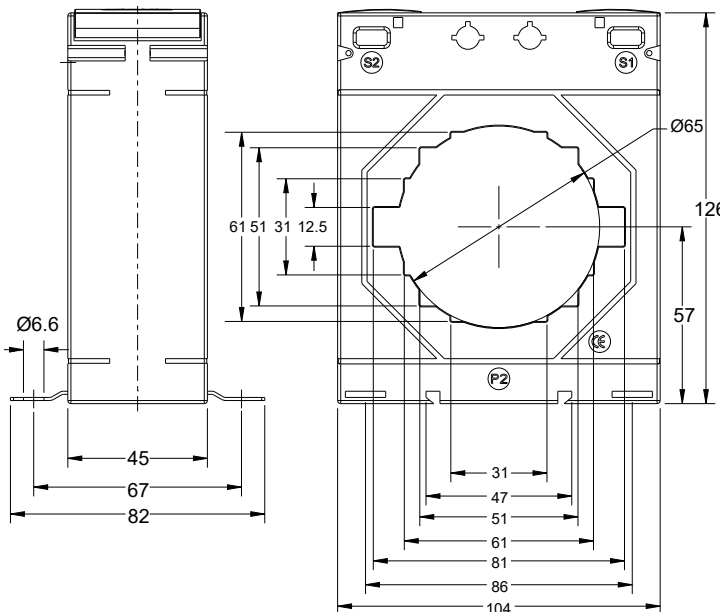
XL7C+ RANGE

Case size: 130 mm wide x 51 mm deep x 170 mm high
Aperture: 56 x 101 mm
Primary Rating: 600 - 3000A
Secondary Rating: 5A as below, 1A Ratio's available change part number to end in 1A e.g. XL7C-600/1A-0.2

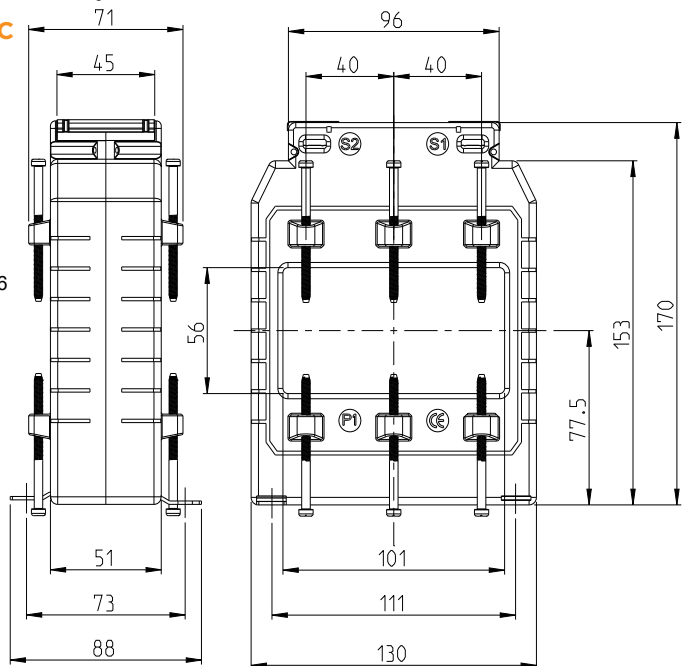
Part number	Primary current	Accuracy			Security Factor (ISF)		
		0.2	0.2S	0.5S	0.2	0.2S	0.5S
XL7C-600/5A-**	600A	2.5VA	2.5VA	2.5VA	5	5	5
XL7C-750/5A-**	750A	5VA	3.75VA	3.75VA	5	5	5
XL7C-800/5A-**	800A	7.5VA	5VA	5VA	5	5	5
XL7C-1000/5A-**	1000A	10VA	7.5VA	7.5VA	5	5	5
XL7C-1200/5A-**	1200A	10VA	10VA	10VA	10	10	10
XL7C-1250/5A-**	1250A	10VA	10VA	10VA	10	10	10
XL7C-1500/5A-**	1500A	15VA	10VA	10VA	5	10	10
XL7C-1600/5A-**	1600A	15VA	10VA	10VA	5	10	10
XL7C-2000/5A-**	2000A	15VA	10VA	10VA	5	10	10
XL7C-2500/5A-**	2500A	15VA	10VA	10VA	10	10	10
XL7C-3000/5A-**	3000A	15VA	12.5VA	12.5VA	10	10	10

Replace ** with required class accuracy

XL7B



XL7C





XL8A+ RANGE

Case size: 140 mm wide x 45 mm deep x 155 mm high

Aperture: 81 x 31 mm - 61 x 51 mm - Ø 73 mm

Primary Rating: 300 - 2000A

Secondary Rating: 5A as below, 1A Ratio's available change part number to end in 1A e.g. XL8A-300/1A-0.2

Part number	Primary current	Accuracy			Security Factor (ISF)		
		0.2	0.2S	0.5S	0.2	0.2S	0.5S
XL8A-300/5A-**-	300A	1.5VA	-	-	15	-	-
XL8A-400/5A-**-	400A	2.5VA	-	-	15	-	-
XL8A-500/5A-**-	500A	5VA	2.5VA	2.5VA	15	15	15
XL8A-600/5A-**-	600A	7.5VA	3.75VA	3.75VA	10	15	15
XL8A-750/5A-**-	750A	10VA	5VA	5VA	10	15	15
XL8A-800/5A-**-	800A	10VA	5VA	5VA	10	15	15
XL8A-1000/5A-**-	1000A	15VA	10VA	10VA	10	10	10
XL8A-1200/5A-**-	1200A	15VA	12.5VA	12.5VA	10	10	10
XL8A-1250/5A-**-	1250A	30VA	12.5VA	12.5VA	5	10	10
XL8A-1500/5A-**-	1500A	30VA	15VA	15VA	5	10	10
XL8A-1600/5A-**-	1600A	30VA	15VA	15VA	5	10	10
XL8A-2000/5A-**-	2000A	30VA	15VA	15VA	5	10	10

Replace ** with required class accuracy



XL8B+ RANGE

Case size: 140 mm wide x 45 mm deep x 155 mm high

Aperture: 101 x 31 mm - 81 x 51 mm - 71 x 61 mm - Ø 86 mm

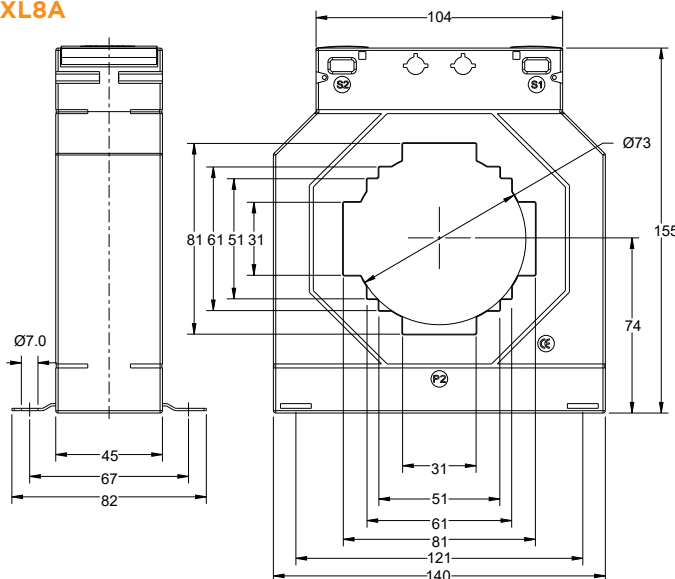
Primary Rating: 400 - 4000A

Secondary Rating: 5A as below, 1A Ratio's available change part number to end in 1A e.g. XL8B-400/1A-0.2S

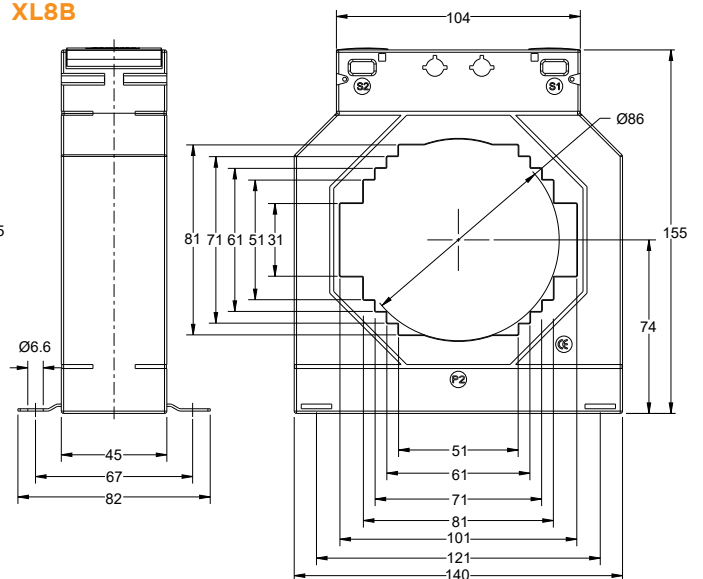
Part number	Primary current	Accuracy			Security Factor (ISF)		
		0.2	0.2S	0.5S	0.2	0.2S	0.5S
XL8B-400/5A-**-	400A	1.5VA	-	-	15	-	-
XL8B-500/5A-**-	500A	2.5VA	-	-	15	-	-
XL8B-600/5A-**-	600A	3.75VA	2.5VA	2.5VA	15	15	15
XL8B-750/5A-**-	750A	5VA	5VA	5VA	15	15	15
XL8B-800/5A-**-	800A	5VA	5VA	5VA	10	10	10
XL8B-1000/5A-**-	1000A	10VA	5VA	5VA	5	10	10
XL8B-1200/5A-**-	1200A	15VA	10VA	10VA	5	5	5
XL8B-1250/5A-**-	1250A	15VA	10VA	10VA	5	5	5
XL8B-1500/5A-**-	1500A	20VA	15VA	15VA	5	5	5
XL8B-1600/5A-**-	1600A	20VA	15VA	15VA	5	5	5
XL8B-2000/5A-**-	2000A	30VA	15VA	15VA	5	5	5
XL8B-2500/5A-**-	2500A	30VA	15VA	15VA	5	5	5
XL8B-3000/5A-**-	3000A	20VA	15VA	15VA	5	5	5
XL8B-4000/5A-**-	4000A	30VA	15VA	15VA	5	5	5

Replace ** with required class accuracy

XL8A



XL8B





XL8C+ RANGE

Case size: 140 mm wide x 45 mm deep x 155 mm high

Aperture: 31 x 101 mm - 51 x 81 mm - 61 x 71 mm - Ø 86mm

Primary Rating: 400 - 3000A

Secondary Rating: 5A as below, 1A Ratio's available change part number to end in 1A e.g. XL8C-400/1A-0.2

Part number	Primary current	Accuracy			Security Factor (ISF)		
		0.2	0.2S	0.5S	0.2	0.2S	0.5S
XL8C-400/5A-**	400A	1.5VA	-	-	15	-	-
XL8C-500/5A-**	500A	2.5VA	-	-	15	-	-
XL8C-600/5A-**	600A	3.75VA	2.75VA	2.75VA	15	15	15
XL8C-750/5A-**	750A	5VA	5VA	5VA	15	15	15
XL8C-800/5A-**	800A	5VA	5VA	5VA	10	10	10
XL8C-1000/5A-**	1000A	10VA	5VA	5VA	5	10	10
XL8C-1200/5A-**	1200A	15VA	10VA	10VA	5	5	5
XL8C-1250/5A-**	1250A	15VA	10VA	10VA	5	5	5
XL8C-1500/5A-**	1500A	20VA	15VA	15VA	5	5	5
XL8C-1600/5A-**	1600A	20VA	15VA	15VA	5	5	5
XL8C-2000/5A-**	2000A	30VA	15VA	15VA	5	5	5
XL8C-2500/5A-**	2500A	30VA	15VA	15VA	5	5	5
XL8C-3000/5A-**	3000A	30VA	15VA	15VA	5	5	5

Replace ** with required class accuracy



XL9A+ RANGE

Case size: 140 mm wide x 45 mm deep x 185 mm high

Aperture: 70 x 130 mm

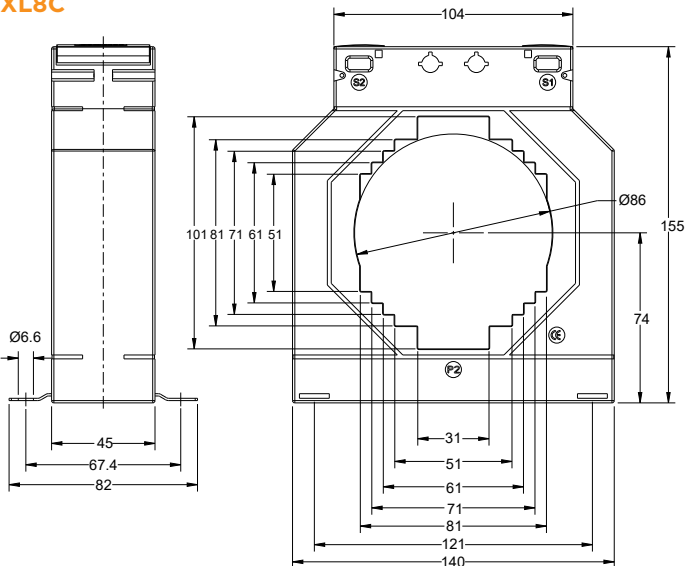
Primary Rating: 1000 - 5000A

Secondary Rating: 5A as below, 1A Ratio's available change part number to end in 1A e.g. XL9A-1000/1A-0.2

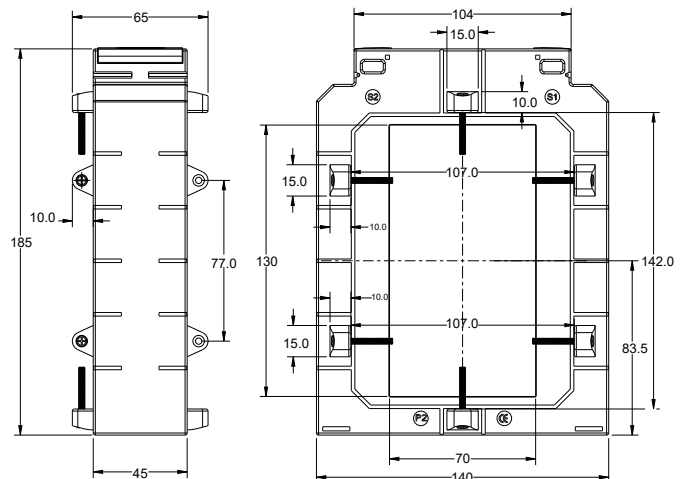
Part number	Primary current	Accuracy	Security Factor (ISF)
		0.2	0.2S
XL9A-1000/5A-**	1000A	5VA	10
XL9A-1200/5A-**	1200A	7.5VA	10
XL9A-1250/5A-**	1250A	7.5VA	10
XL9A-1500/5A-**	1500A	10VA	10
XL9A-1600/5A-**	1600A	10VA	10
XL9A-2000/5A-**	2000A	15VA	10
XL9A-2500/5A-**	2500A	15VA	10
XL9A-3000/5A-**	3000A	15VA	10
XL9A-3200/5A-**	3200A	15VA	10
XL9A-4000/5A-**	4000A	15VA	10
XL9A-5000/5A-**	5000A	15VA	15

Replace ** with required class accuracy

XL8C



XL9A





XL10A+ RANGE

Case size: 225 mm wide x 50 mm deep x 206 mm high

Aperture: 125 x 93 mm

Primary Rating: 600 - 6000A

Secondary Rating: 5A as below, 1A Ratio's available change part number to end in 1A e.g. XL10A-600/1A-0.2

Part number	Primary current	Accuracy			Security Factor (ISF)		
		0.2	0.2S	0.5S	0.2	0.2S	0.5S
XL10A-600/5A-**	600A	5VA	-	-	10	-	-
XL10A-750/5A-**	750A	5VA	-	-	10	-	-
XL10A-800/5A-**	800A	5VA	-	-	10	-	-
XL10A-1000/5A-**	1000A	10VA	5VA	5VA	10	10	10
XL10A-1200/5A-**	1200A	10VA	5VA	5VA	10	10	10
XL10A-1250/5A-**	1250A	10VA	5VA	5VA	10	10	10
XL10A-1500/5A-**	1500A	10VA	7.5VA	7.5VA	10	10	10
XL10A-1600/5A-**	1600A	10VA	7.5VA	7.5VA	10	10	10
XL10A-2000/5A-**	2000A	10VA	10VA	10VA	10	10	10
XL10A-2500/5A-**	2500A	15VA	10VA	10VA	10	10	10
XL10A-3000/5A-**	3000A	15VA	10VA	10VA	10	10	10
XL10A-4000/5A-**	4000A	30VA	15VA	15VA	10	10	10
XL10A-5000/5A-**	5000A	30VA	15VA	15VA	15	15	15
XL10A-6000/5A-**	6000A	60VA	15VA	15VA	15	15	15

Replace ** with required class accuracy



XL10B+ RANGE

Case size: 225 mm wide x 50 mm deep x 206 mm high

Aperture: 167 x 66 mm

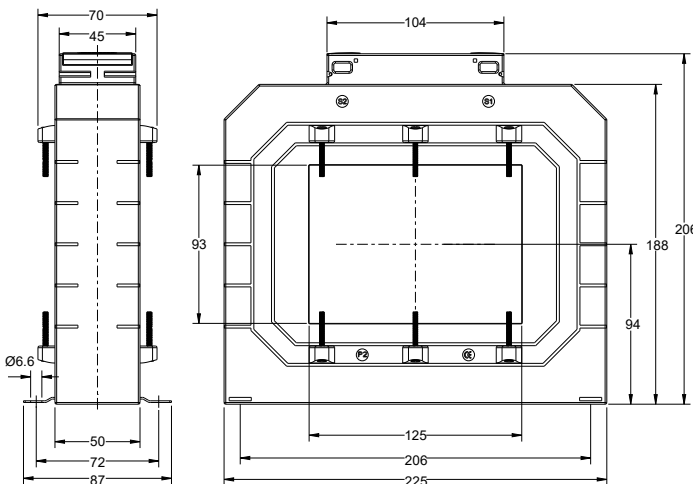
Primary Rating: 1000 - 7500A

Secondary Rating: 5A as below, 1A Ratio's available change part number to end in 1A e.g. XL10B-1000/1A-0.2

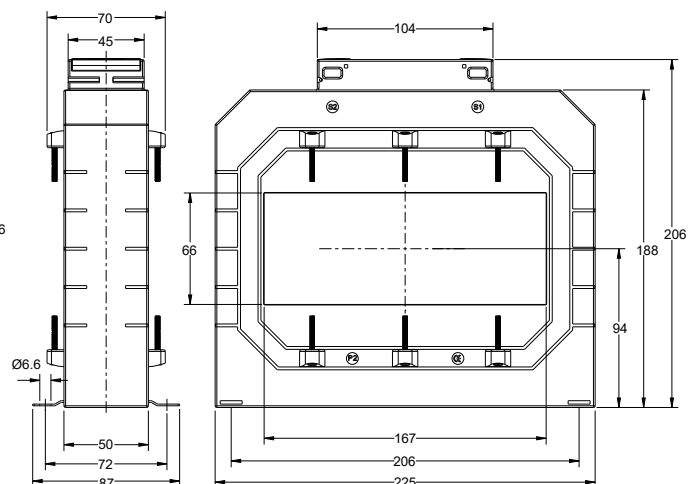
Part number	Primary current	Accuracy			Security Factor (ISF)		
		0.2	0.2S	0.5S	0.2	0.2S	0.5S
XL10B-1000/5A-**	1000A	3.75VA	-	-	10	-	-
XL10B-1200/5A-**	1200A	5VA	-	-	10	-	-
XL10B-1250/5A-**	1250A	5VA	-	-	10	-	-
XL10B-1500/5A-**	1500A	10VA	5VA	5VA	10	10	10
XL10B-1600/5A-**	1600A	10VA	5VA	5VA	10	10	10
XL10B-2000/5A-**	2000A	10VA	7.5VA	7.5VA	10	10	10
XL10B-2500/5A-**	2500A	15VA	10VA	10VA	10	10	10
XL10B-3000/5A-**	3000A	15VA	10VA	10VA	10	10	10
XL10B-4000/5A-**	4000A	15VA	10VA	10VA	10	15	15
XL10B-5000/5A-**	5000A	20VA	15VA	15VA	10	15	15
XL10B-6000/5A-**	6000A	20VA	15VA	15VA	10	15	15
XL10B-7500/5A-**	7500A	20VA	15VA	15VA	15	15	15

Replace ** with required class accuracy

XL10A



XL10B



Ebony Excel Plus range current transformers

	XL0 model		XL3 model				
	XL0A+	XL0B+	XL3A+	XL3B+	XL3C+	XL3D+	XL3E+
Inside Dia Ø (mm)	-	-	22.5	-	30.5	31	28
Busbars (mm)	-	-	-	-	-	-	-
	-	-	-	20 X 10	30 X 10	40 X 10	-
	-	-	-	15 X 15	25 X 25	30 X 20	30 X 10
Height (mm)	78	98	78	78	78	78	78
Width (mm)	62	74	62	62	62	62	62
Depth (mm)	40	45	40	40	40	40	51
DIN Rail Mounting Adapter (available seperately)	-	-	✓	✓	✓	✓	✓
Panel or Wall Mounting	✓	✓	✓	✓	✓	✓	✓
Busbar Mounting	-	-	-	✓	✓	✓	✓
Terminal Cover	✓	✓	✓	✓	✓	✓	✓
Primary Current	1A→30A	1A→60A	100A→600A	100A→500A	100A→800A	200A→800A	100A→800A
Max screw torque setting (Nm)	0.75	0.75	0.75	0.75	0.75	0.75	0.75
UL Approved	N	N	N	N	N	Y	N

	XL4 model				XL5 model		
	XL4A+	XL4B+	XL4C+	XL4D+	XL5A+	XL5B+	XL5C+
Inside Dia Ø (mm)	20.4	26	35	41	36	46	51
Busbars (mm)	-	-	-	50 X 12.5	-	-	-
	15 x 15	30 X 15	40 X 10	40 X 20	40 X 10	50 X 10	60 X 10
	20 X 10	20 X 20	30 X 30	30 X 30	30 X 30	40 X 30	50 X 30
Height (mm)	98	98	98	98	110	110	110
Width (mm)	74	74	74	74	86	86	86
Depth (mm)	45	45	45	45	45	45	45
DIN Rail Mounting Adapter (available seperately)	✓	✓	✓	✓	✓	✓	✓
Panel or Wall Mounting	✓	✓	✓	✓	✓	✓	✓
Busbar Mounting	✓	✓	✓	✓	✓	✓	✓
Terminal Cover	✓	✓	✓	✓	✓	✓	✓
Primary Current	100A→500A	100A→800A	100A→1000A	250A→1000A	100A→1000A	200A→1250A	300A→1600A
Max screw torque setting (Nm)	0.75	0.75	0.75	0.75	0.75	0.75	0.75
UL Approved	N	N	N	Y	N	N	N



	XL6 model		XL7 model		
	XL6A+	XL6B+	XL7A+	XL7B+	XL7C+
Inside Dia Ø (mm)	-	-	54	65	-
Busbars (mm)	-	-	60 X 10	80 X 10	101 X 56
	40 X 100	40 X 125	50 X 30	60 X 30	-
	-	-	40 X 40	50 X 50	-
Height (mm)	170	170	126	126	170
Width (mm)	99	99	104	104	130
Depth (mm)	45	45	45	45	51
DIN Rail Mounting Adapter (available seperately)	-	-	✓	✓	-
Panel or Wall Mounting	✓	✓	✓	✓	✓
Busbar Mounting	✓	✓	✓	✓	✓
Terminal Cover	✓	✓	✓	✓	✓
Primary Current	1000A→2500A	1500A→3200A	200A→1600A	400A→2000A	600→3000
Max screw torque setting (Nm)	0.75	0.75	0.75	0.75	0.75
UL Approved	N	N	N	Y	N

	XL8 model			XL9 model	XL10 model	
	XL8A+	XL8B+	XL8C+	XL9A+	XL10A+	XL10B+
Inside Dia Ø (mm)	73	86	86	-	-	-
Busbars (mm)	-	100 X 30	30 X 100	-	-	-
	80 X 30	80 X 50	50 X 80	70 X 130	125 X 90	167 X 66
	60 X 50	70 X 60	60 X 70	-	-	-
Height (mm)	155	155	155	185	206	206
Width (mm)	140	140	140	140	225	225
Depth (mm)	45	45	45	45	50	50
DIN Rail Mounting Adapter (available seperately)	-	-	-	-	-	-
Panel or Wall Mounting	✓	✓	✓	✓	✓	✓
Busbar Mounting	✓	✓	✓	✓	✓	✓
Terminal Cover	✓	✓	✓	✓	✓	✓
Primary Current	300A→2000A	400A→4000A	400A→3000A	1000A→5000A	600A→6000A	1000A→7500A
Max screw torque setting (Nm)	0.75	0.75	0.75	0.75	0.75	0.75
UL Approved	N	N	N	N	N	N

Ebony Excel Plus Accessories

Busbar Mounting Kits are supplied as standard with each Current Transformer.

The kit contains a selection of the below items based on what is required for each individual Current Transformer.

Busbar Mounting Kit Items			
M4 Busbar mounting Screws		Swivels	
Push in metal feet		Shoe for M4 Busbar mounting Screws	

Extra Busbar Mounting Kits are available to order, please see the below table

Current Transformer Model Type	Mounting Kit Order Code	Items in each Mounting Kit
XL0A, XL0B, XL1A, XL1B	XL-KIT-001	2 x Push in metal feet
XL3A, XL3B, XL3C, XL3D, XL3E XL4A, XL4B, XL4C, XL4D XL5A, XL5B, XL5C	XL-KIT-003	2 x Busbar mounting screws M4 x 45mm 2 x Push in metal feet 2 x Swivels 2 x Shoe for self tapping M4 screws
XL6A, XL6B	XL-KIT-004	2 x Busbar mounting screws M4 x 35mm 2 x Push in metal feet 2 x Shoe for self tapping M4 screws
XL7A, XL7B, XL7C	XL-KIT-005	4 x Busbar mounting screws M4 x 45mm 2 x Push in metal feet 2 x Swivels 4 x Shoe for self tapping M4 screws
XL8A, XL8B, XL8C	XL-KIT-006	4 x Busbar mounting screws M4 x 75mm 2 x Push in metal feet 4 x Swivels 4 x Shoe for self tapping M4 screws
XL9A	XL-KIT-007	1 x Busbar mounting screw M4 x 75mm 5 x Busbar mounting screws M4 x 45mm 2 x Push in metal feet 6 x Shoe for self tapping M4 screws
XL10A, XL10B	XL-KIT-008	6 x Busbar mounting screws M4 x 75mm 2 x Push in metal feet 6 x Shoe for self tapping M4 screws

DIN Rail Mounting Adapters (available seperately)

Current Transformer Model Type	Order Code	
XL1A, XL1B	XL-DRBRK-1	
XL3A, XL3B, XL3C, XL3D, XL3E XL4A, XL4B, XL4C XL4D, XL5A, XL5B, XL5C XL7A, XL7B, XL7C	XL-DRBRK-3	

Accuracy Class:- A designation assigned to a current transformer the errors of which remain within specified limit under prescribed conditions of use.

Rated Burden:- The impedance of the secondary circuit on which the accuracy requirements are based. It is usually expressed as apparent power (in VA), at the rated secondary current and at a specified power factor.

Rated Output:- The value of the apparent power (in volt-amperes at a specified power factor) which the current transformer is intended to supply to the secondary circuit at the rated secondary current and with rated burden connected to it.

Highest System Voltage:- The highest rms line to line voltage which can be sustained under normal operating conditions at any time and at any point on the system. It excludes temporary voltage variations due to fault condition and the sudden disconnection of large loads.

Rated Insulation Level:- That combination of voltage values (power frequency and lightning impulse, or where applicable, lightning and switching impulse) which characterizes the insulation of a transformer with regard to its capability to withstand by dielectric stresses. For low voltage transformer the test voltage 4kV, at power-frequency, applied during 1 minute.

Rated Short Time Thermal Current (I_{th}):- The RMS value of the primary current which the current transformer will withstand for a rated time, with their secondary winding short circuits without suffering harmful effects.

Rated Dynamic Current (I_{dyn}):- The peak value of the primary current which a current transformer will withstand, without being damaged electrically for mechanically by the resulting electromagnetic forces, the secondary winding being short-circuited.

Rated Continuous Thermal Current:- The value of current which can be permitted to flow continuously in the primary winding, the secondary windings being connected to the rated burdens, without the temperature rise exceeding the specified values.

Instrument Security Factor (ISF):- Instrument Security Factor is the ratio of Instrument Limit Primary Current to the rated Primary Current. Instrument Limit Current of a metering Current Transformer is the maximum value of primary current beyond which Current Transformer core becomes saturated. Instrument Security Factor of CT is the significant factor for choosing the metering Instruments which to be connected to the secondary of the CT. Security or Safety of the measuring unit is better, if ISF is low.

TE Connectivity Ltd. is a \$14 billion global technology and manufacturing leader creating a safer, sustainable, productive, and connected future. For more than 75 years, our connectivity and sensor solutions, proven in the harshest environments, have enabled advancements in transportation, industrial applications, medical technology, energy, data communications, and the home. With 80,000 employees, including more than 8,000 engineers, working alongside customers in approximately 140 countries, TE ensures that EVERY CONNECTION COUNTS. Learn more at www.te.com and on [LinkedIn](#), [Facebook](#), [WeChat](#) and [Twitter](#).

Generation

- Conventional Power
- Nuclear Power
- Wind/Solar
- Hydro-electric

Transmission & Distribution

- Substation
- Underground
- Overhead
- Street Lighting

Industry

- Mining
- Petrochemical
- Railway
- Shipbuilding

WHEREVER ELECTRICITY FLOWS, YOU'LL FIND TE ENERGY



te.com/energy

FOR MORE INFORMATION: TE Technical Support Centres

USA: +1 800 327 6996
UK: +44 870 870 7500
Australia: +61 1300 656 090
Singapore: +65 6590 5151
Hong Kong: +852 2790 9609

crompton-instruments.com

© 2018 TE Connectivity Ltd. family of companies. All Rights Reserved. EPP-3773-3/21

TE Connectivity, the TE connectivity (logo) and Crompton Instruments are trademarks of the TE Connectivity Ltd. family of companies. Other logos, product and Company names mentioned herein may be trademarks of their respective owners. While TE has made every reasonable effort to ensure the accuracy of the information in this brochure, TE does not guarantee that it is error-free, nor does TE make any other representation, warranty or guarantee that the information is accurate, correct, reliable or current. TE reserves the right to make any adjustments to the information contained herein at any time without notice. TE expressly disclaims all implied warranties regarding the information contained herein, including, but not limited to, any implied warranties of merchantability or fitness for a particular purpose. The dimensions in this brochure are for reference purposes only and are subject to change without notice. Specifications are subject to change without notice. Consult TE for the latest dimensions and design specifications.